

Series 802 Product Overview

Features:

- Pneumatic version of Model 202-U
- Sensor ready for T-slot or round sensors

Applications:

- Assembly
- Welding

Also Available:

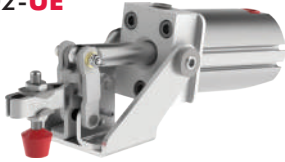
See page 7.1 for spindle accessories

See page 11.1 for sensing options

High temperature version available

Upon Request, add **-HT** to model number. Example: 802-U-**HT**

802-U
802-UE



Series 802 Technical Information, Holding Capacities

Model	Maximum Holding Capacity		Max. Exerting Force @ 5bar [72PSI]		Weight	Bore Size	Air Consumption† dm ³ [ft ³]	Port Size	Accessories (Supplied)	
	Inner	Outer	Inner	Outer					Spindle Accessory	Flanged Washers
802-U	[200 lbf]	[110 lbf]	[450 lbf]	[234 lbf]	[1.60lb]	[1.26]	[0.012]	1/8 NPT	202208-M	215105
802-UE	890 N	490 N	2010 N	1045 N	0,73kg	32	0,34	G-1/8		

†Per double stroke at 5bar [72PSI]

Max Cylinder Pressure: 10bar [145psig]*

Max Operating Temp: -10°C to 90°C [-14°F to 194°F]

Replacement Seal Kit: 802450-32-1-00

Replacement Clamp Assembly: 802-U-LC

*In no case should the inlet pressure be high enough to create an exerting force that exceeds the clamp's holding capacity. See Technical Appendix for details.

Sensor Accessories

Item Number

Round Reed Switch with Quick Disconnect

810169

T-slot Reed Switch with Quick Disconnect

8EA-109-1

Quick Disconnect 2M Extension Cable

CABL-010

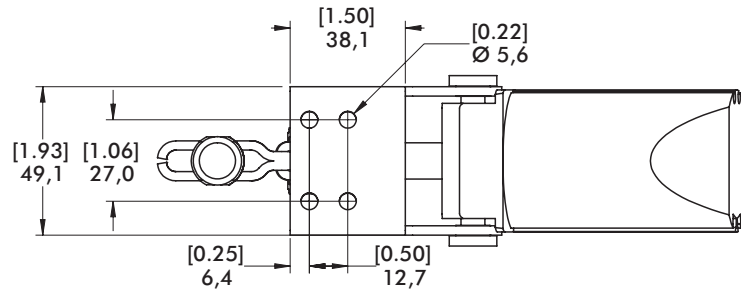
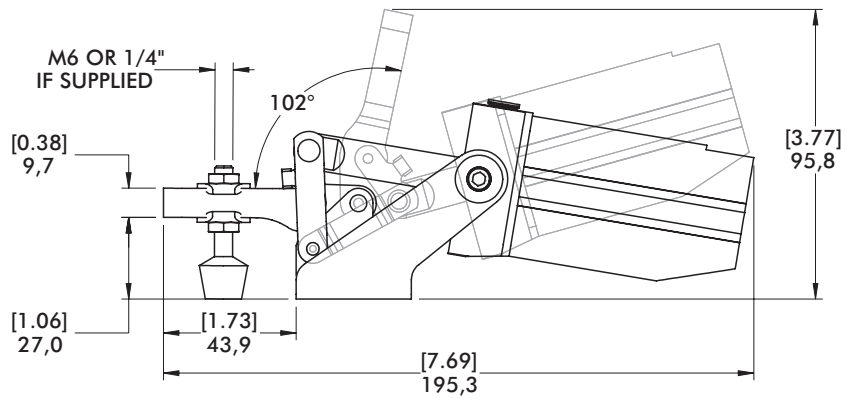
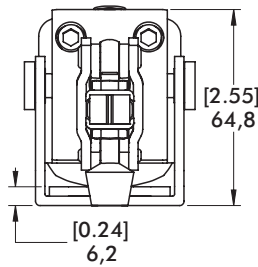
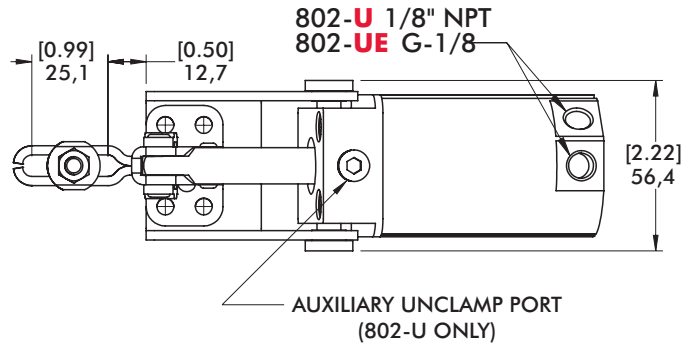
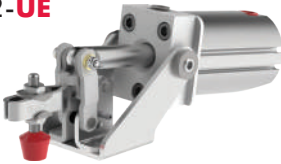
Quick Disconnect 5M Extension Cable

CABL-013

See Pneumatic Accessories section for more options

Series 802 Standard Clamp Dimensions
-U/-UE

802-U
802-UE



mm [INCH]
THIRD ANGLE PROJECTION